

## 1A Single-Phase GLass Passivated Bridge Rectifiers

Recifier Reverse Voltage 50V to 1000V



### MBM

### Features

- Glass passivated junction
- The plastic material used carries Underwriters Laboratory flammability recognition 94V-0
- Suge overload ratings to 35 amperes peak
- Ideal for printed circuit board application
- High temperature soldering guaranteed 265°C/10 seconds at 5 lbs(2.3kg)tension

### Mechanical Data

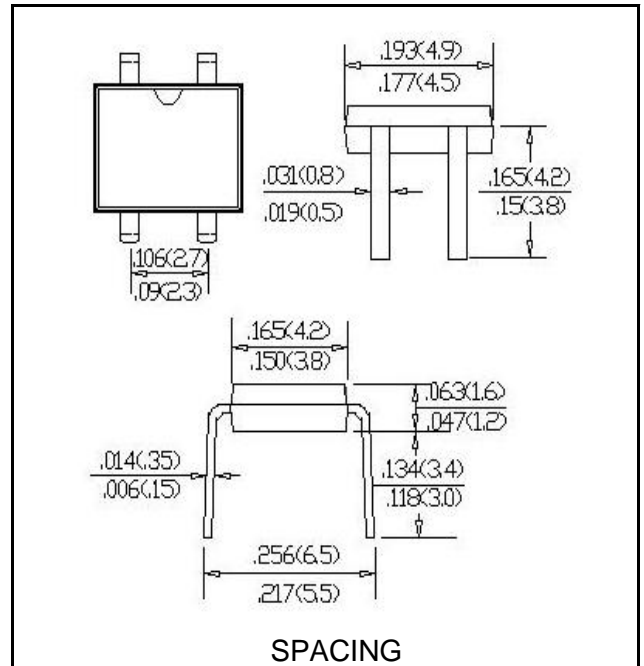
Case:Molded plastic

Terminals:Platde leads solderable per MIL-STD-750, Method 2026

Polarity:Polarity symbols molded or Marked on body

Mounting Position:Any

Weight:0.0032ounce,0.094 grams(approx)



### Maximum Ratings & Thermal Characteristics

Rating at 25°C ambient temperature unless otherwise specified,Resistive or inductive load,60HZ.

For Capacitive load derate current by 20%

Parameter	Symbol	MB05M	MB1M	MB2M	MB4M	MB6M	MB8M	MB10M	unit
Maximum repetitive peak reverse voltage	VRRM	50	100	200	400	600	800	1000	V
Maximum RMS bridge input voltage	VRMS	35	70	140	280	420	560	700	V
Maximum DC blocking voltage	VDC	50	100	200	400	600	800	1000	V
Maximum average forward rectified current @TA=40°C	IF(AV)	1.0							A
Peak forward surge current 8.3ms single half sine-wave super imposed on rated load (JEDEC Method)	IFSM	35							A
Maximum instantaneous forward voltage drop per leg at 0.8A	VF	1.1							V
Maximum DC reverse current TA=25°C at rated DC blocking voltage TA=125°C	IR	5 500							μ A
Rating for fusing(t<8.3ms)	I <sup>2</sup> t	5.1							A <sup>2</sup> sec
Typical Junction capacitance per element(Note 1)	Cj	15.0							p F
Typical thermal resistance (Note1)	RθJA	134							°C/W
Operating temperature range	TJ	-55to+150							°C
Storage temperature range	TSTG	-55to+150							°C

Notes: (1).Measured at 1.0MHz and applied reverse voltage of 4.0V DC.

(2).Thermal resistance Junction to ambient mounted on P.C.B with 0.5\*0.5"(13\*13mm)copper pads.

## Rating and Characteristic Curves (TA=25°C Unless otherwise noted)

FIG.1-DERATING CURVE FOR OUTPUT RECTIFIED CURRENT

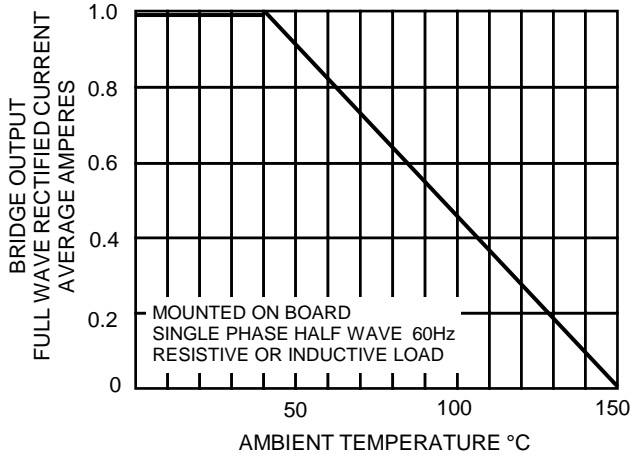


FIG.2-MAXIMUM NON-REPETITIVE SURGE CURRENT

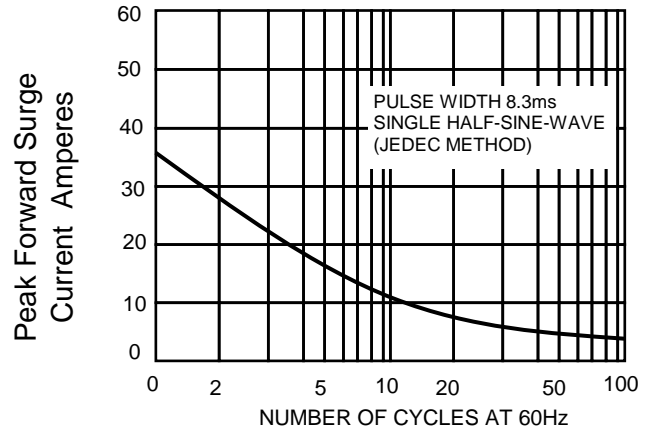


FIG.3-TYPICAL JUNCTION CAPACITANCE

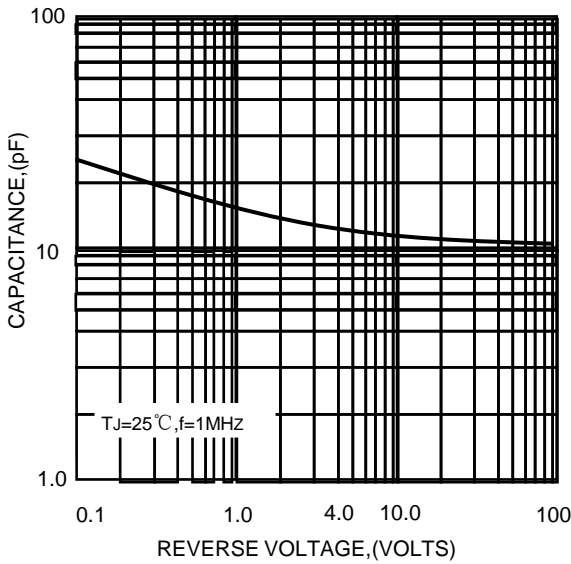


FIG.4-TYPICAL FORWARD CHARACTERISTICS

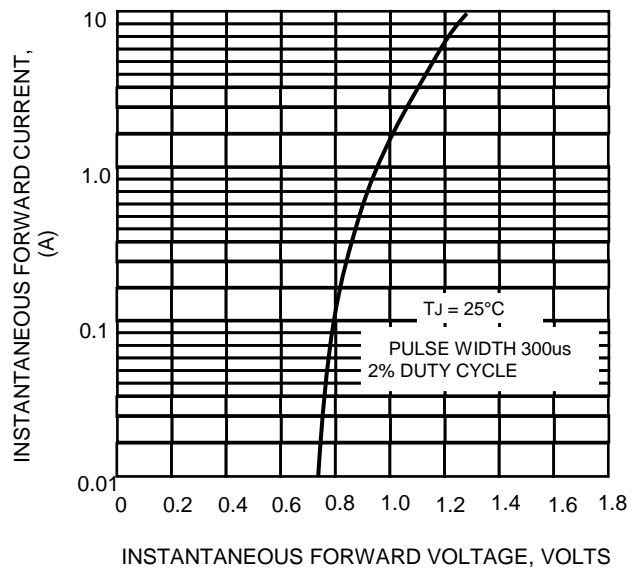
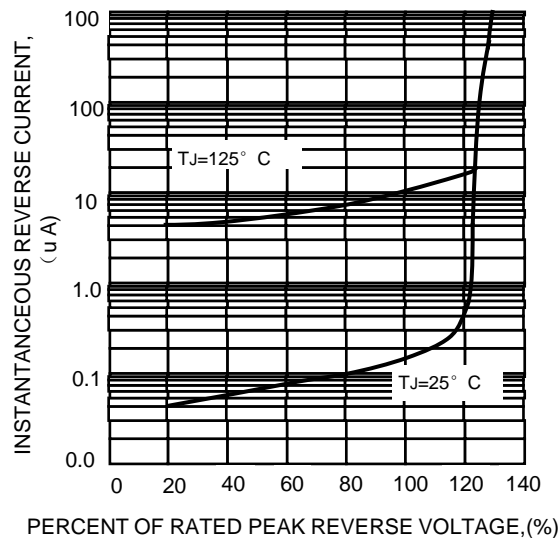


FIG.5-TYPICAL REVERSE CHARACTERISTICS



**Ordering Information(Example)**

PREFFREN P/N	UNIT WEIGHT(g)	MINIMUM	INNER BOX	OUTER CARTON	DELIVERY MODE
		PACKAGE(pcs)	QUANTITY(pcs)	QUANTITY(pcs)	
MB05M~MB10M	Approximate 0.094	100	5000	20000	TUBE